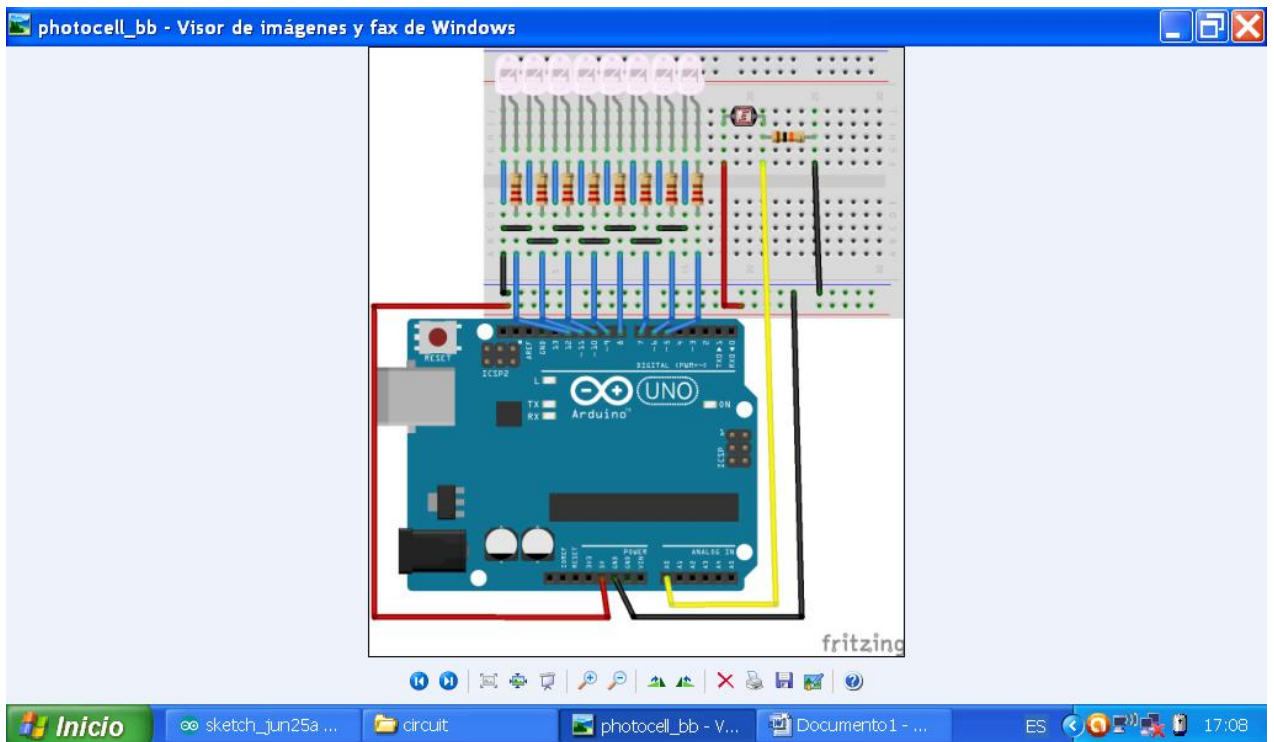


HOW TO CONNECT SENSOR TO ARDUINO UNO

LM35 TEMPERATURE SENSOR



LDR SENSOR – LIGHT SENSOR

